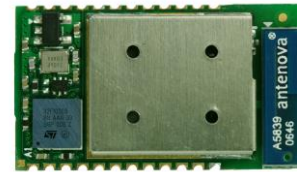


# BT11

The added class 1 power, +18dBm, of the BT-11, gives this module one of the best ranges in the industry. It offers a second power choice on the same design.

The BT-11M/L module includes 16 general purpose input/output lines, several Serial interface options, analog-to-digital inputs, and up to 1.5M bps data throughput.



15mm x 27mm

## Features

### Bluetooth features

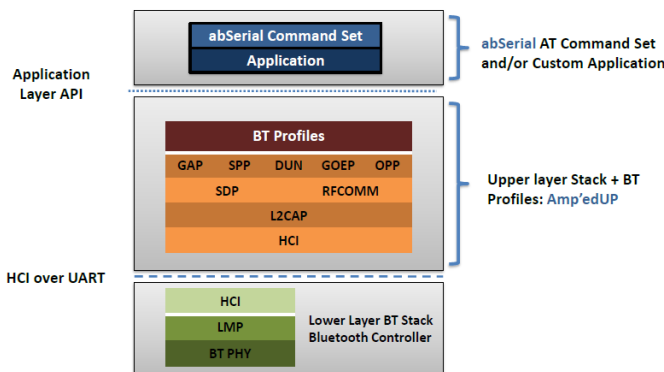
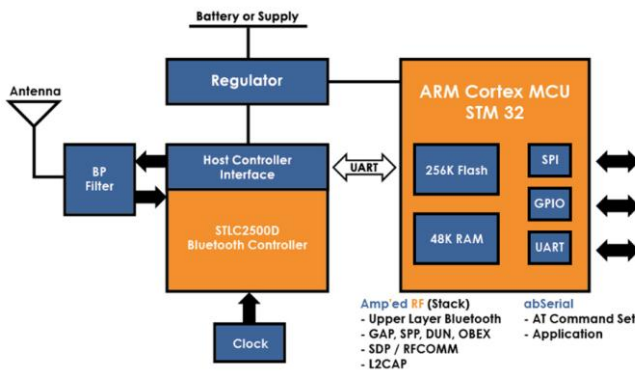
- FCC & Bluetooth licensed radio
- Bluetooth v2.1+EDR
- Class 1 radio
- Range up to 120m LOS
- 1.5Mbps data throughput
- 128-bit encryption security
- Multipoint capability up to 7 slaves

### Hardware configuration

- Cortex-M3 microprocessor up to 72MHz
- 256K bytes flash memory
- 48K bytes RAM memory
- UART, up to 2Mbps
- SPI and I2C interfaces
- 16 general purpose I/O
- 4x12bit A/D inputs
- 1 DAC output

### Embedded software

- Amp'edUP Bluetooth stack (SPP, OBEX, DUN)
- abSerial, AT command set
- SDK, Software Development Kit (Optional)
- BlueGuard, data encryption software (Optional)
- Mobile application software(Optional)



## Amp'ed RF Technology Bluetooth

We've teamed up with ST Microelectronics and ST Ericsson to offer you the most advanced Bluetooth technology in a variety of highly reliable and affordable platforms. Our Bluetooth Upper Layer Stack, Amp'ed UP, and AT command serial interface, abSerial, give you options ranging from complete turnkey solutions to licensing our designs and firmware – options our competitors simply don't have.

